

CONTROL CONSOLE

DK-600F/K



- ★ **Transceiver's Extended Control**
- ★ **DVP Interface**
- ★ **Telephone Line Trunking**
- ★ **Full Sel Call Features**
- ★ **Received Calls Storage**
- ★ **Digital Clock**
- ★ **Printer Interface Option**

CONTROL CONSOLE DK-600F/K

DESIGNATION and DESCRIPTION

Control Console DK-600F/K is designed for configuring the **CENTRAL** (Base) station, for Land Mobile Radio networks with Selective Call features. It is intended for TR1-520V/K and TR1-520M/K transceivers, used by **Land** and **Marine** forces, respectively. Those transceivers are configurable with **DVP Ciphing module**. Beside those two types of 2-meter band transceivers, a general-purpose transceiver TR1-500B/K, also DVP oriented, is available.

It is possible to connect one transceiver and one automatic telephone (PBX or PSTN) line

to DK-600F/K. Equipment provides all outer transceiver's controls. Besides, it provides **SELL CALL** and Identification features, trunking of the telephone line to the radio channel (via VOX) and connection of the external loudspeaker. Printer connection is one option.

All outer DVP controls are conveyed on DK-600F/K.

Supply voltage for the DK-600F/K is provided through transceiver's connection cable.

FEATURES

SEL CALL SUBSYSTEM RELATED

- Transmission and reception of Personal, Group (10,100,1000) and Circular (All) calls
- "Silent Call" transmission
- "Emergency Call" reception
- Reception of Calls to Center
- Storing of the received IDs and transmitted SELL CALLs with recorded time, and forwarding data to the printer (an option)

CONFIGURATION RELATED

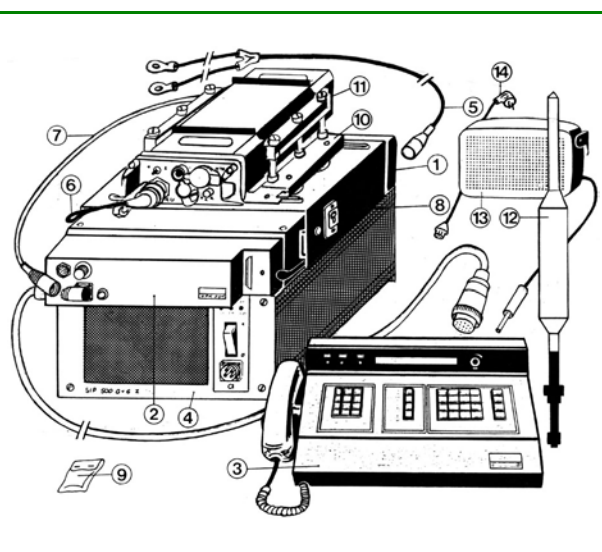
- Power supply switching and volume control
- Squelch on/off switching
- Establishing of the radio and telephone communication,

- Transceiver's working channel selection
- "Busy channel" and "Transmit" indication
- Loudspeaker blocking and unblocking
- Acoustic indication of the telephone calls and other audio signalization (call to Center, emergency call) on the loudspeaker, overriding its blocking
- Trunking of the radio link communication (after decrypting) to the telephone line
- Alpha-numerical 16-character display for keyboard operation controlling, received ID's and real time displaying
- Operating mode (Encrypted/Clear) selection and adequate indication, ciphing code (1/2) selection.

- May be changed without notice -

ORDERING CONFIGURATION

BASE STATION with TELEPHONE			
Item	Equipment/Accessory	Type	Ordering Code
1	VHF FM Transceiver	TR1-520V/K ¹⁾	8400646
2	Universal Junction Box (4,5m cable)	UPK-501V	8408485
3	Control Console	DK-600F/K	8406761
4	Power Supply & Battery Charger	SIP-500/6+6/ZV	8410610
5	Accumulator Battery Cable	BK-3/28	8404794
6	Transceiver/DVP Cable	KK-2/7	8410585
7	SIP/UPK Cable	IK-1/3	4371606
8	Transceiver's Holder	NP-1V	4301580
9	Mounting Kit and Spare Fuses	MK-02	8415040
10	DVP holder (on Transceiver)	NKZ-02	8410596
11	DVP Module	DVP-96	-
12	Wide Band Dipole Antenna	WD-20L	8404944
13	External Loudspeaker 4W (option)	ZV-4	4305144
14	Mains Cable	MK-S/15	0680368



¹⁾ - Transceiver type changes upon customer request. See: [VHF/UHF FM Transceivers - 500K series, Configurations and Ordering Information](#)