

VHF/UHF FM TRANSCEIVERS

500K SERIES

CONFIGURATIONS & ORDERING INFORMATION



INTRODUCTION

1.- In the Tables which follow are listed the Configurations, based on two military oriented transceivers - **MRS-520V/Ke** (for Land Forces) and **MRS-520M/Ke** (for Marine). For Configurations based on **MRS-520B/Ke** (2m-band) and **MRS-507B/Ke** (0.7m-band) one may use tables related to the MRS-520V/Ke making the following substitutions:

Listed Items				To be substituted by			
Item	Equipment/Unit	Type	Ordering Code	Item	Equipment/Unit	Type	Ordering Code
1	VHF FM Transceiver	TR1-520V/K	8400646	1	VHF FM Transceiver or UHF FM Transceiver	TR1-520B/K TR1-507B/K	8400012 8400613'
2	Controle Panel	CP-520V/Ke	8413021	2	Control Panel	CP-500B/Ke	840078
3	Universal Junction Box	UPK-501V	8408485	3	Universal Junction Box	UPK-501	4305177
4	Junction Box	PK-505V	4304344	4	Junction Box	PK-505	4314104
5	Control Panel Interface	ACP-501V	8413826	5	Control Panel Interface	ACP-501V	4316644
6	Power Supply & Battery Charger	SIP-500/6+6/ZV	8410610	6	Power Supply & Battery Charger	SIP-500/6+6/Z	8406499
7	Transceiver's Holder	NP-1V	4301580	7	Transceiver's Holder	NP-1	4321199
Shadowed Items are quite different while other, listed above, differ only in color in order to match with the main radio equipment., i.e. the Olive Gray and Black Mat.							
Type of ANTENNA, being a frequency sensitive device, is to be selected upon the frequency band and needed area coverage.							

2.- In order to follow the coming Tables of Configurations in an easier way, we suggest to you, dear potential customer, to study the Data Sheets you get for our Radio equipment and related accessories.

3.- Delivery of the **Digital Voice Protection Module DVP-96** (as well as the related Fill Gun) is subject to a mutual agreement on the government level.

NOTE: The DVP-96 is a variant of the DVP module type KzU-64, redesigned to be controlled from the new generation MRS-500K/e FM transceiver's front panel. The standard transceiver's microphone and loudspeaker are used instead of a handset with PTT switch.

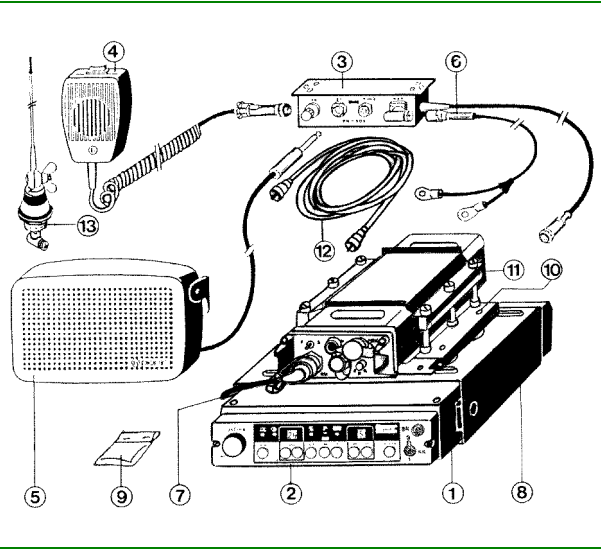
4.- Along the Mobile Transceivers and related accessories, mentioned in the following Tables of Configurations, you find added Data Sheets for Repeater/Base Stations, Portable Transceivers, Communication Console, 'Cable Repeaters', Fixed Antennas.

For all further information do not hesitate to contact our representative, which supplied this document to you.

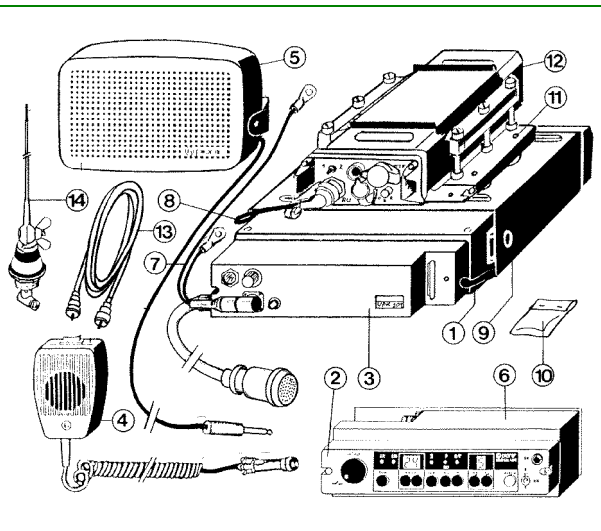


1. - STANDARD CONFIGURATIONS based on **MRS-520V/Ke** Transceiver

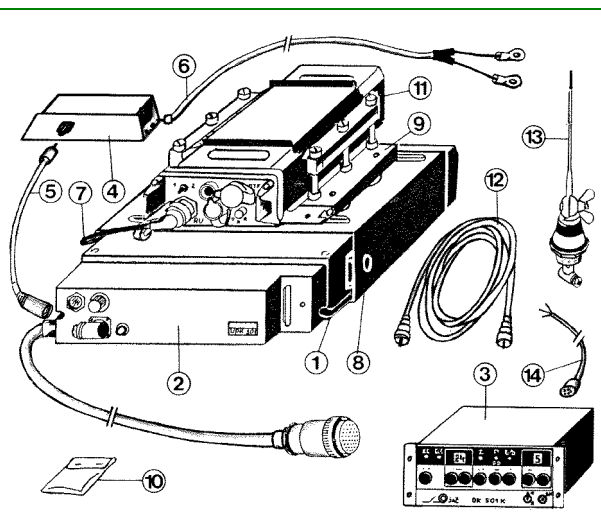
VM. 01 - VEHICULAR SET, Direct Control			
Item	Equipment/Unit	Type	Ordering Code
1	VHF FM Transceiver	TR1-520V/K	8400646
2	Controle Panel	CP-520V/Ke	8413021
3	Junction Box	PK-505V	4304344
4	Microphone (dyn.), with Cable	Mi-2	4320945
5	Loudspeaker 4W, with Cable	ZV-4	4305144
6	Accumulator Battery Cable	BK-3/28	8404794
7	Transceiver/DVP Cable	KK-2/7	8410585
8	Transceiver's Holder	NP-1V	4301580
9	Mounting Kit and Spare Fuses	MK-01V	8402064
10	DVP holder (on Transceiver)	NKZ-02	8410596
11	DVP Module	DVP-96	-
12	Antenna cable	KA-1/28	840678
13	Vehicular $\lambda/4$ Whip Antenna	MA-400c	4346205



VM. 02 - VEHICULAR SET, Extended Control			
Item	Equipment/Unit	Type	Ordering Code
1	VHF FM Transceiver	TR1-520V/K	8400646
2	Controle Panel	CP-520V/Ke	8413021
3	Universal Junction Box (4,5m cable)	UPK-501V	8410563
4	Microphone (dyn.) with Cable	Mi-2	4320945
5	Loudspeaker 4W, with Cable	ZV-4	4305144
6	Control Panel Interface	ACP-501V	8413826
7	Accumulator Battery Cable, assym.	BK-1/40	4309432
8	Transceiver/DVP Cable	KK-2/7	8410585
9	Transceiver's Holder	NP-1V	4301580
10	Mounting Kit and Spare Fuses	MK-01V	8402064
11	DVP holder (on Transceiver)	NKZ-02	8410596
12	DVP Module	DVP-96	-
13	Antenna cable	KA-1/28	8406783
14	Vehicular $\lambda/4$ Whip Antenna	MA-400c	4346205

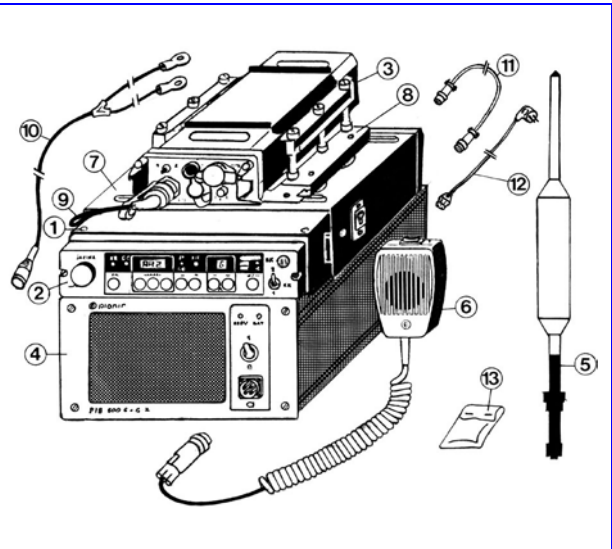


VM. 03 - HELICOPTER SET, Extended Control			
Item	Equipment/Unit	Type	Ordering Code
1	VHF FM Transceiver	TR1-520V/K	8400646
2	Universal Junction Box (4,5m cable)	UPK-501V	8408485
3	Extended Control Box	DK-501/K	8415528
4	Power Supply	BN-24/12-10	8424871
5	Supply Cable	IK-1/6"	8471606
6	Accumulator Battery Cable	BK-4/28"	8404794
7	Transceiver/DVP Cable	KK-2/7	8410585
8	Transceiver's Holder	NP-1V	4301580
9	DVP holder (on Transceiver)	NKZ-02	8410596
10	Mounting Kit and Spare Fuses	MK-0H	8415481
11	DVP Module	DVP-96	-
12	Antenna cable	KA-1/28	8406783
13	Vehicular $\lambda/4$ Whip Antenna	MA-400c	4346205
14	DK-501/Intercom Cable	IK-2/x	8414670

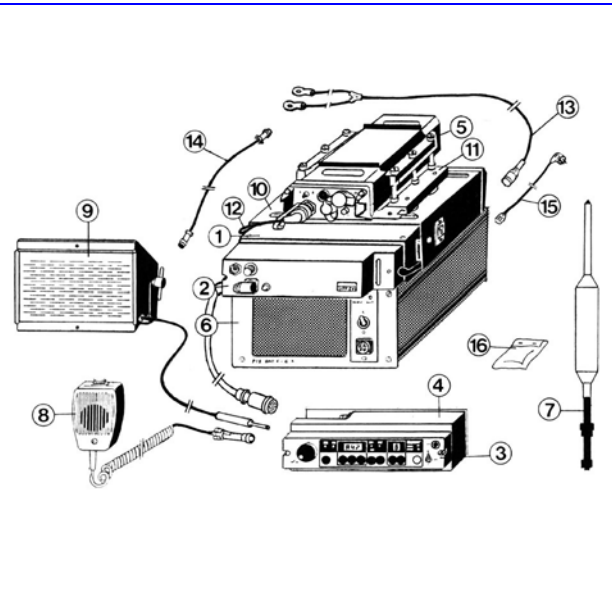


2.- STANDARD CONFIGURATIONS based on **MRS-520M/Ke** Transceiver

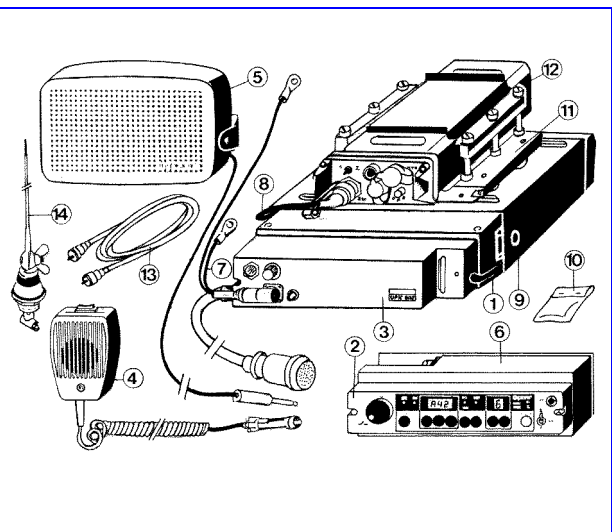
MB. 01. - SHIP SET, Direct Control			
Item	Equipment/Unit	Type	Ordering Code
1	VHF FM Transceiver	TR1-520M/K	8413393
2	Controle Panel	CP-520M/Ke	8414692
3	DVP Module	DVP-96	-
4	DC/DC converter & Regulator	PIS(6+6)Z	8414750
5	Wide Band Dipole Antenna	WD-20L	8404944
6	Microphone (dyn.), with Cable	Mi-2	4320945
7	Transceiver's Holder	NP-1V	4301580
8	DVP holder (on Transceiver)	NKZ-02	8410596
9	Transceiver/DVP Cable	KK-2/7	8410585
10	Accumulator Battery Cable	BK-4/28	8410632
11	Transceiver/PIS Cable	IK-2/3	8417627
12	Mains Cable	MK-S/15	0680368
13	Mounting Kit and Spare Fuses	MK-01V	8402064



MB. 02. - SHIP SET, Extended Control			
Item	Equipment/Unit	Type	Ordering Code
1	VHF FM Transceiver	TR1-520M/K	8413393
2	Universal Junction Box (4,5m cable)	UPK-501V	8408485
3	Controle Panel	CP-520M/Ke	8414692
4	Control Panel Interface	ACP-501V	8413826
5	DVP Module	DVP-96	-
6	DC/DC converter & Regulator	PIS(6+6)Z	8414750
7	Wide Band Dipole Antenna	WD-20L	8404944
8	Microphone (dyn.), with Cable	Mi-2	4320945
9	Loudspeaker 2W, with Cable	ZV-1V	4347570
10	Transceiver's Holder	NP-1V	4301580
11	DVP holder (on Transceiver)	NKZ-02	8410596
12	Transceiver/DVP Cable	KK-2/7	8410585
13	Accumulator Battery Cable	BK-4/28	8410632
14	PIS/UPK Cable	IK-1/5	4371606
15	Mains Cable	MK-S/15	0680368
16	Mounting Kit and Spare Fuses	MK-02V	8415040

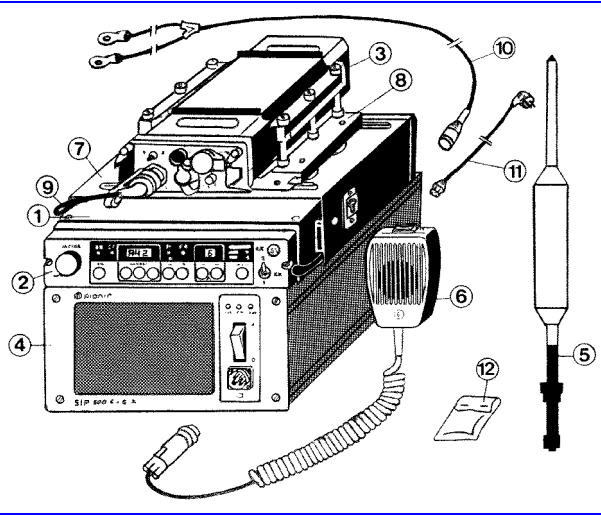


MM. 01. - VEHICULAR SET, Extended Control			
Item	Equipment/Unit	Type	Ordering Code
1	VHF FM Transceiver	TR1-520M/K	8400646
2	Controle Panel	CP-520M/Ke	8414692
3	Universal Junction Box (4,5m cable)	UPK-501V	8408485
4	Microphone (dyn.) with Cable	Mi-2	4320945
5	Loudspeaker 4W, with Cable	ZV-4	4305144
6	Control Panel Interface	ACP-501V	8413826
7	Accumulator Battery Cable	BK-3/28	4309342
8	Transceiver/DVP Cable	KK-2/7	8410585
9	Transceiver's Holder	NP-1V	4301580
10	Mounting Kit and Spare Fuses	MK-01V	8402064
11	DVP holder (on Transceiver)	NKZ-02	8410596
12	DVP Module	DVP-96	-
13	Antenna cable	KA-1/28	8406783
14	Vehicular $\lambda/4$ Whip Antenna	MA-400c	4346205



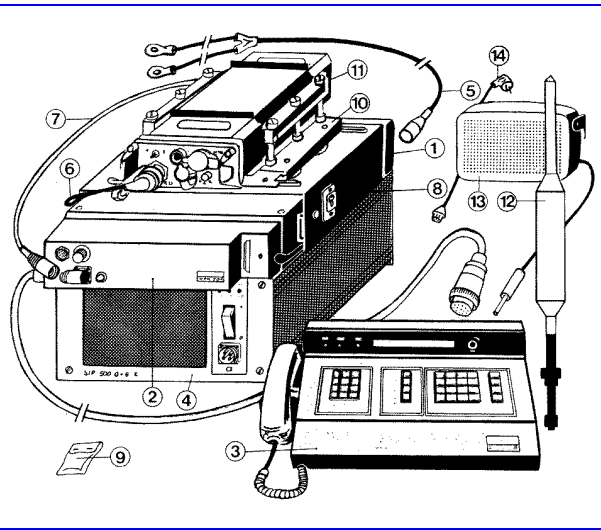
MF.01. - FIXED STATION

Item	Equipment/Unit	Type	Ordering Code
1	VHF FM Transceiver	TR1-520M/K	8413393
2	Controle Panel	CP-520M/Ke	8414692
3	DVP Module	DVP-96	-
4	Power Supply & Battery Charger	SIP-500/6+6/ZV	8410610
5	Wide Band Dipole Antenna	WD-20L	8404944
6	Microphone (dyn.), with Cable	Mi-2	4320945
7	Transceiver's Holder	NP-1V	4301580
8	DVP holder (on Transceiver)	NKZ-02	8410596
9	Transceiver/DVP Cable	KK-2/7	8410585
10	Accumulator Battery Cable	BK-4/28	8410632
11	Mains Cable	MK-S/15	0680368
12	Mounting Kit and Spare Fuses	MK-01V	8402064

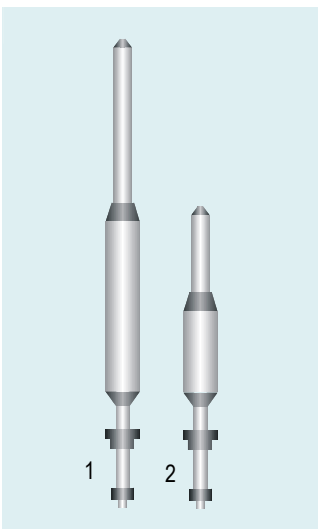


MF.02. - BASE STATION with TELEPHONE

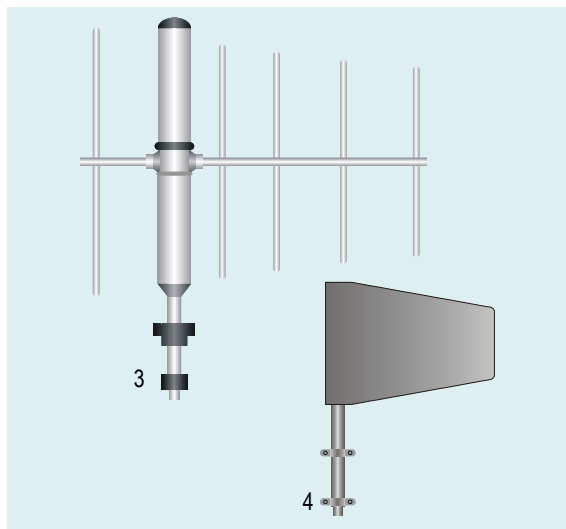
Item	Equipment/Unit	Type	Ordering Code
1	VHF FM Transceiver	TR1-520M/K	8400646
2	Universal Junction Box (4,5m cable)	UPK-501V	8410563
3	Control Console	DK-600F/K	8406761
4	Power Supply & Battery Charger	SIP-500/6+6/ZV	8410610
5	Accumulator Battery Cable	BK-3/28	8404794
6	Transceiver/DVP Cable	KK-2/7	8410585
7	SIP/UPK Cable	IK-1/5	4371606
8	Transceiver's Holder	NP-1V	4301580
9	Mounting Kit and Spare Fuses	MK-02	8415040
10	DVP holder (on Transceiver)	NKZ-02	8410596
11	DVP Module	DVP-96	-
12	Wide Band Dipole Antenna	WD-20L	8404944
13	External Loudspeaker 4W (option)	ZV-4	4305144
14	Mains Cable	MK-S/15	0680368



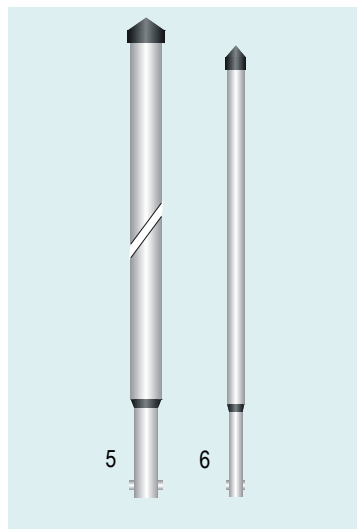
3.- STANDARD VHF and UHF ANTENNAS



Wide Band Dipole
 1) - WD-SZ-20, VHF band
 2) - WD-SZ-7, UHF band



Directional Antenna (6-element Yagi)
 3) - UAJ-20/9, VHF band; 9dB_D
 4) - UAJ-07/9, UHF band; 9dB_D



Omnidirectional Array
 5) - HDR-20/4,5, VHF band, 4.5dB_D
 6) - HDR-07/4,5, UHF band, 4.5dB_D